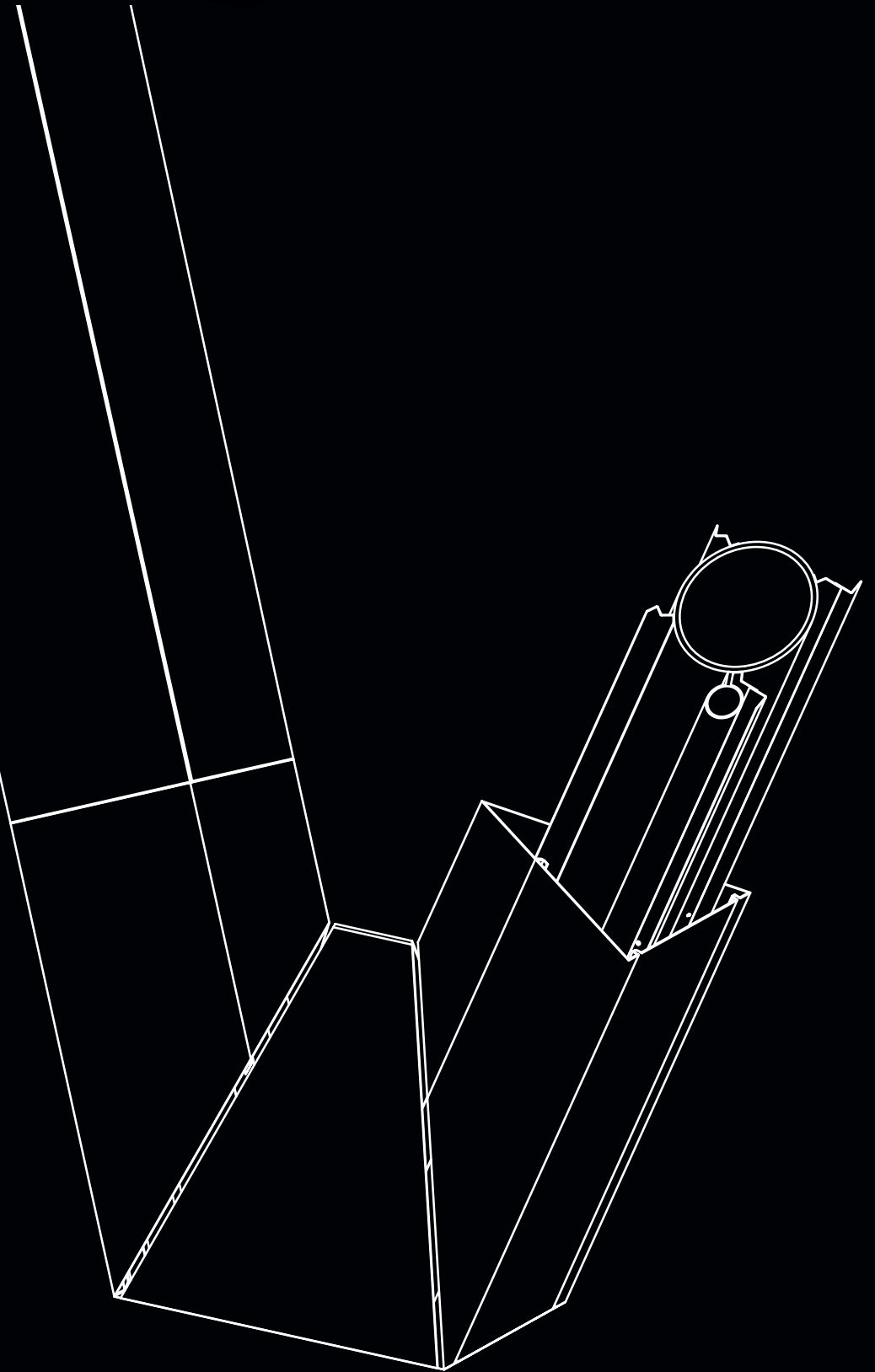


SPECIALIST FABRICATIONS **S** TECHNICAL INFORMATION

A full range of ancillary products, available in matching or contrasting finishes



Sole designers and manufacturers of the Optima® range of engineered rainscreen cladding systems



Sotech Specialist Fabrications

A full range of ancillary products, available in matching or contrasting finishes

Specialist fabrications provide the ancillary elements to support the Optima® range of rainscreen systems enabling the client to attain all of their project requirements from one single quality focused source.

An almost limitless range of engineered architectural fabrications are available:

- Column casings
- Window pods
- Copings
- Louvres - pressed and extruded
- Corner fabrications
- Perforated screens
- Bullnoses
- Featured beams
- Insulated and non-insulated gutters



The materials:

Sotech combine a state-of-the-art manufacturing unit with both contemporary and traditional materials including:

- Material - Aluminium:
 - Precoat (PVDF) including metallic, simulated zinc and copper finishes
 - Polyester powder coating (PPC)
 - Anodised in Natural, Bronze, Gold, Blue Grey and Black (with United Anodisers project lifetime guarantee)
 - ACM (Aluminium Composite Material)
- Material - Steel:
 - Stainless Steel (Natural, Polished, Textured or Patterned) Corten Steel
- Material - Copper:
 - Natural, Oxidised, Pre Patinated, Brass, Bronze and Gold
- Material - Zinc:
 - Pre weathered in all available finishes



Technical advisory service:

Sotech is pleased to offer free technical advice and project specific guidance on standard and bespoke fabrications, including value-engineering solutions.

The continuing investment in technologically advanced equipment means we have skill and capacity in abundance.

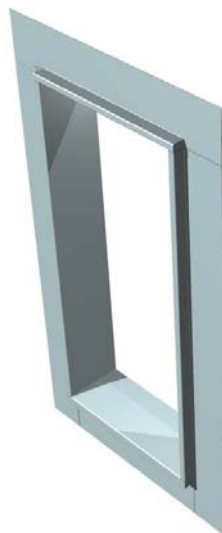
Specialist equipment includes:

- CNC punching machines including state of-the-art Pullmax 720 with sheet load and unload capacity
- CNC Axyz flatbed routers for converting ACM and other sheet materials with single location capacity up to 6000m
- 4m CNC pressbrakes fully compensated
- 4m CNC guillotines
- 4m NC controlled pyramid rollers
- Welding stations including Mig and Tig welders
- Streibig panel and wegoma saws
- Heated press for spandrel panels

The design office includes the latest 2D and 3D design packages enabling customer requirements to be directly downloaded to the production machines. This provides fast and accurate transfer of information, saving time and eradicating errors.



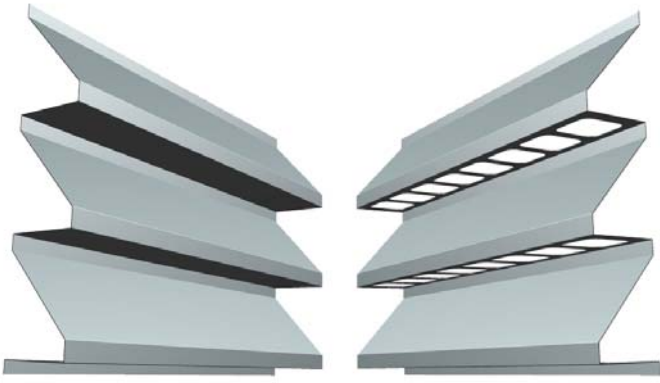
Feature Beams



Window Pods



Perforations



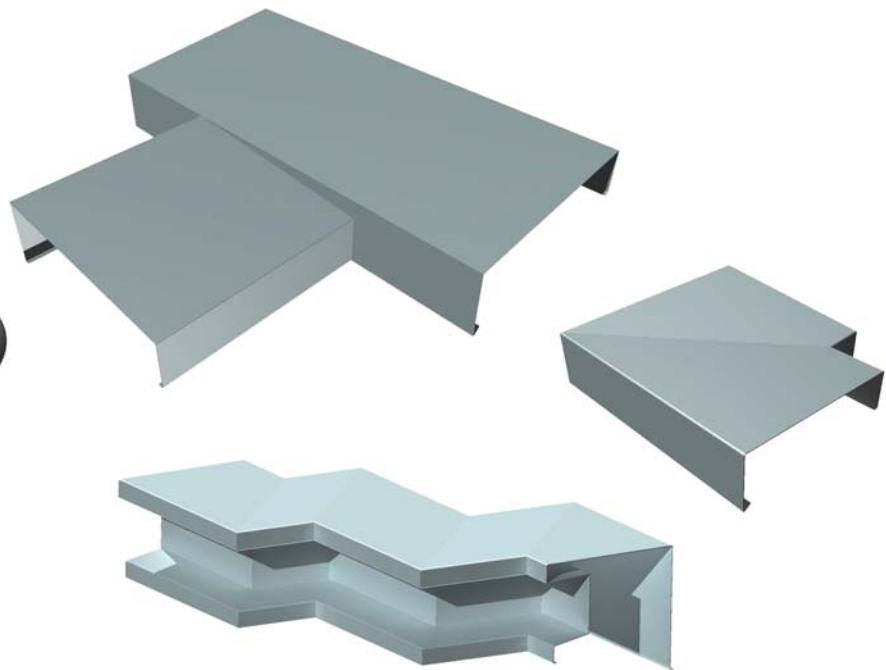
Louvre Units



Column Casings



Bullnoses



Copings

“Taking our environmental responsibilities seriously.”

By embracing ISO 14001 (Environmental Management Standard) Sotech continues to invest in environmental improvements wherever possible including recyclable prime materials, energy efficiencies and packaging reductions.

The regeneration and development of Baltic Mill, a disused and listed 1930s flourmill into a world-class art gallery, is synonymous with Sotech's appreciation of environmental issues. It incorporates 5000m² of easily recycled but extremely durable Optima anodised aluminium rainscreen cladding.



SOTECH
architectural façade systems

Sotech Limited
Unit 2
Whitehouse Business Park
Peterlee
County Durham
SR8 2RU

Tel: 0191 587 2287
Fax: 0191 518 0703
Email: mail@sotech-optima.co.uk
Web: www.sotech-optima.co.uk

nbsPlus

rainscreenworks



Assessed to ISO 9001:2000
Certificate number 770

CENTRE FOR
**WINDOW AND
CLADDING**
TECHNOLOGY

Sole designers and manufacturers of the Optima® range of engineered rainscreen cladding systems

CELEBRATING OVER
25 YEARS
EXCELLENCE IN INNOVATION