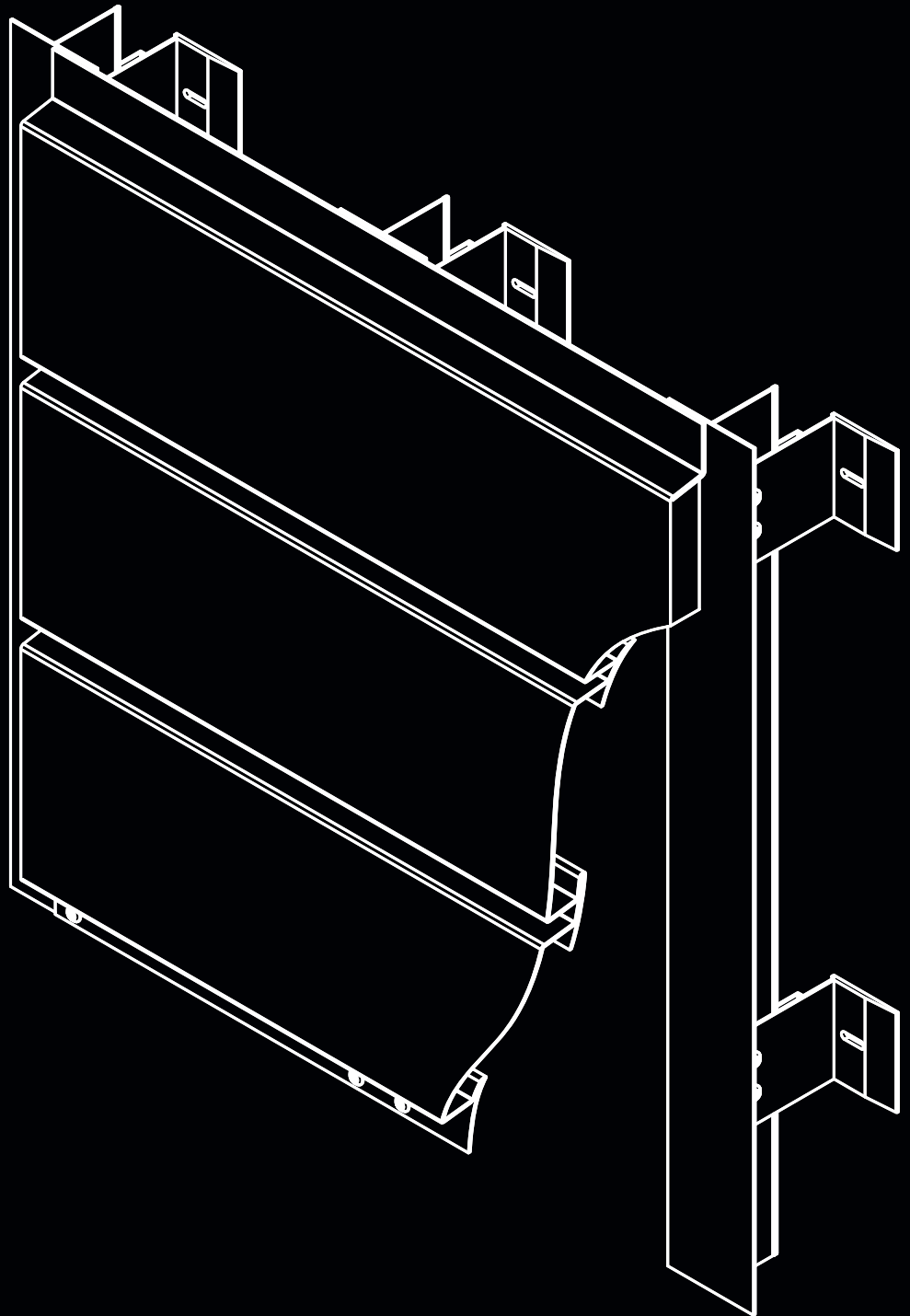




OPTIMA[®] S IPC TECHNICAL INFORMATION

Range of linear pressed or extruded interlocking plank cladding offering long spans



Sole designers and manufacturers of the Optima[®] range of engineered rainscreen cladding systems



Sotech Optima IPC

Range of linear pressed or extruded interlocking plank cladding offering long spans

The Optima IPC system is available as a pressed plank in a variety of materials, often pre-finished or as an extruded plank available in post-finished aluminium.

They are connected by a simple interlocking male/female joint, which offers either a recessed or hairline appearance. Optima IPC is secretly fixed onto extruded aluminium support framework horizontally or vertically in a variety of materials.

This drained and ventilated system creates a weather shield in front of a primary structure.

Optima IPC is engineered to seamlessly integrate with all other building façade elements such as windows, doors and louvres.

The system has been independently tested and certified to meet CWCT rigorous specification for rainscreen cladding. All fixings used in the system are stainless steel.

Specialist Fabrications

A full range of ancillary products is available in matching or contrasting finishes engineered to the same high standards as the system. These range from bullnose units and flashings to insulated gutters and rainwater goods.

Optima products are manufactured in a state-of-the-art facility designed for, and dedicated to, high quality rainscreen and architectural systems production. This facility is operated and staffed by skilled designers and engineers utilising a suite of 2D and 3D design packages, fully automatic punching machines, CNC routers, compensated pressbrakes, rollers and welding stations.

OPTIMA[®] IPC

PRESSED PLANK

- The pressed plank is available in a variety of thicknesses up to 2mm enabling plank modules far in excess of the limitations found in some rolled systems
- The choice of hairline or recessed joint is available in both directions on this system
- Plank lengths available up to 4.4m

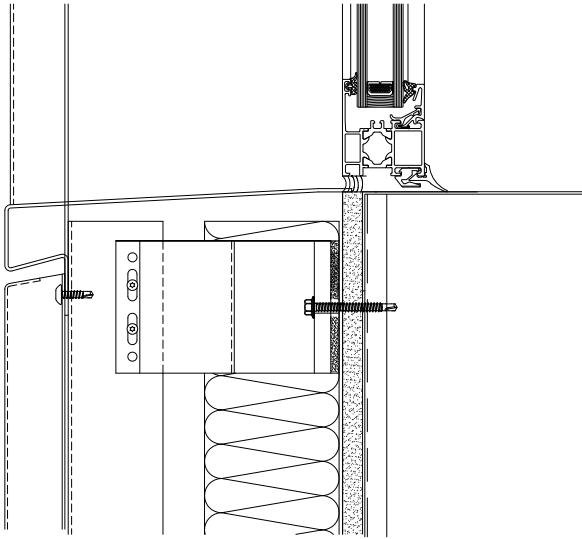
EXTRUDED PLANK

- Extruded Optima IPC has a set face module of 200mm, which can be individually emphasised between recessed joints or combined in multiples of 200mm using a hairline joints
- Extruded Optima IPC lends itself to use in all areas including low-level vulnerable areas through superior deflection and impact resistance
- Standard lengths available up to 4m

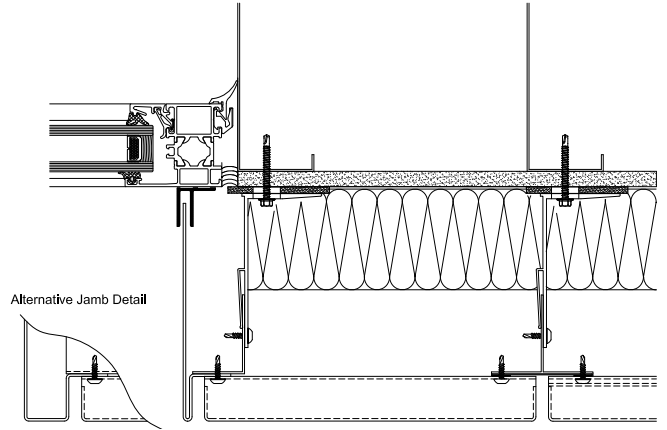
SYSTEM BENEFITS

- A complete secretly fixed rainscreen system
- The system bracketry is designed to accommodate tolerances present in any backing wall for either new build or refurbishment projects
- Suitable for all wall constructions
- Low maintenance system with very long life
- Accurate installation is both simple and speedy
- System is fully and beneficially recyclable
- A fully independently tested and accredited system to CWCT standards
- System does not support combustion and all components meet the requirements laid out in BS476, part 7, Class O
- The system allows the incorporation of different colours and materials on a single building
- All commercial finishes may be incorporated on one elevation to create an almost limitless effect of colours and shapes

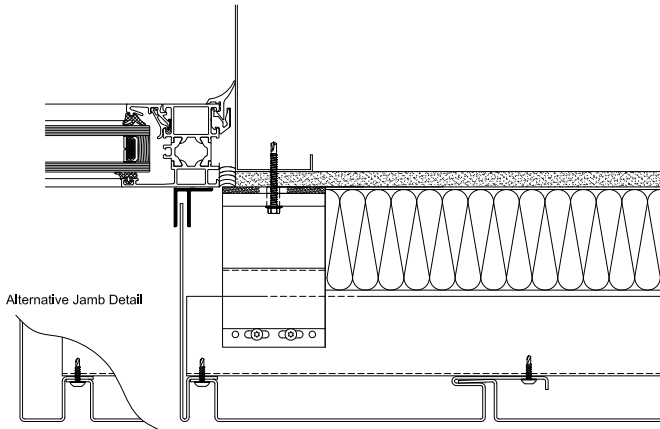




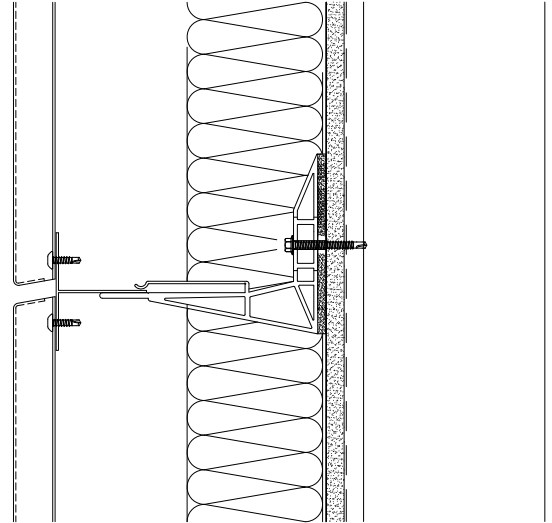
Vertical Plank showing Cill Detail



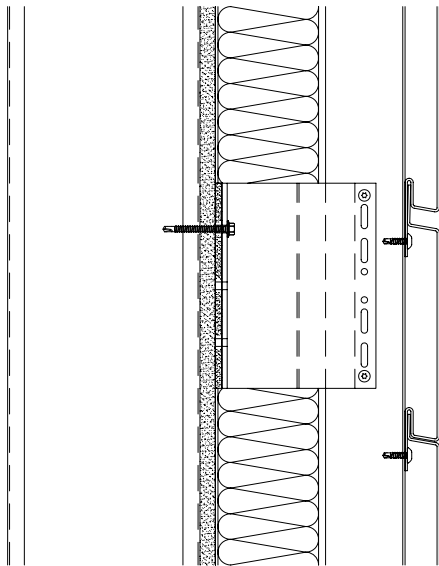
Horizontal Plank Detail



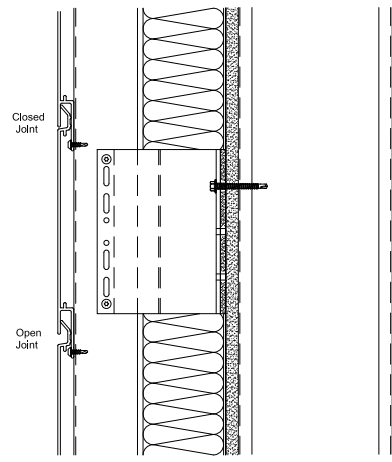
Vertical Plank Detail



Vertical Plank showing Horizontal Detail



Horizontal Plank showing Horizontal Detail



Extruded Plank Detail

RAINSCREEN SYSTEM

- Optima IPC interlocking plank cladding

RAINSCREEN PANEL

- Material - **Aluminium:**
 - Precoat (PVDF) including metallic, simulated zinc and copper finishes
 - Polyester powder coating (PPC)
 - Anodised in Natural, Bronze, Gold, Blue Grey and Black (with United Anodisers project lifetime guarantee)
 - Standard extruded plank available in anodised or polyester powder coating
- Material - **Copper:**
 - Natural, Oxidised, Pre Patinated, Brass, Bronze and Gold
- Material - **Steel:**
 - Stainless Steel (Natural, Polished, Textured or Patterned) Corten Steel
- Material - **Zinc:**
 - Pre weathered in all available finishes
- Thickness: Dependant on material
- Manufacture controlled by CNC controlled and ISO9001 quality assured processes.
- Joint type: Interlocking
 - Joint width: Closed or nominal 10mm open joint.
 - CAD, CAM, CNC processes throughout
 - ISO 9001 quality assured
 - CWCT tested and accredited system

SUPPORT SYSTEM

- 'Hands free' brackets
 - Cladding zone: 50mm - 300mm
 - Aluminium sub structure
 - Stainless steel sixings.

A more simple substructure suitable for narrow cladding zones is also available.

NBS H92

Full NBS specifications are available for all Sotech Optima systems however great benefit is derived from project specific guidance and it is recommended that our free technical advisory service is consulted. This will assist in true and timely value engineering and the reduction of disappointment or delays at tender stage.

DESIGN SUPPORT

In addition to the technical advisory service, utilised most often by architects and clients, full design support is available to the approved installer network.

SOTECH PHILOSOPHY

Superior design and manufacturing inspires confident specifications, realises creativity and delivers successful projects.

"Taking our environmental responsibilities seriously."

By embracing ISO 14001 (Environmental Management Standard) Sotech continues to invest in environmental improvements wherever possible including recyclable prime materials, energy efficiencies and packaging reductions.

The regeneration and development of Baltic Mill, a disused and listed 1930s flourmill into a world-class art gallery, is synonymous with Sotech's appreciation of environmental issues. It incorporates 5000m² of easily recycled but extremely durable Optima anodised aluminium rainscreen cladding.



SOTECH
architectural façade systems

Sotech Limited
Unit 2
Whitehouse Business Park
Peterlee
County Durham
SR8 2RU

Tel: 0191 587 2287
Fax: 0191 518 0703
Email: mail@sotech-optima.co.uk
Web: www.sotech-optima.co.uk

nbsPlus

rainscreenworks



Assessed to ISO 9001:2000
Certificate number 770

CENTRE FOR
**WINDOW AND
CLADDING**
TECHNOLOGY

Sole designers and manufacturers of the Optima® range of engineered rainscreen cladding systems

CELEBRATING OVER
25 YEARS
EXCELLENCE IN INNOVATION