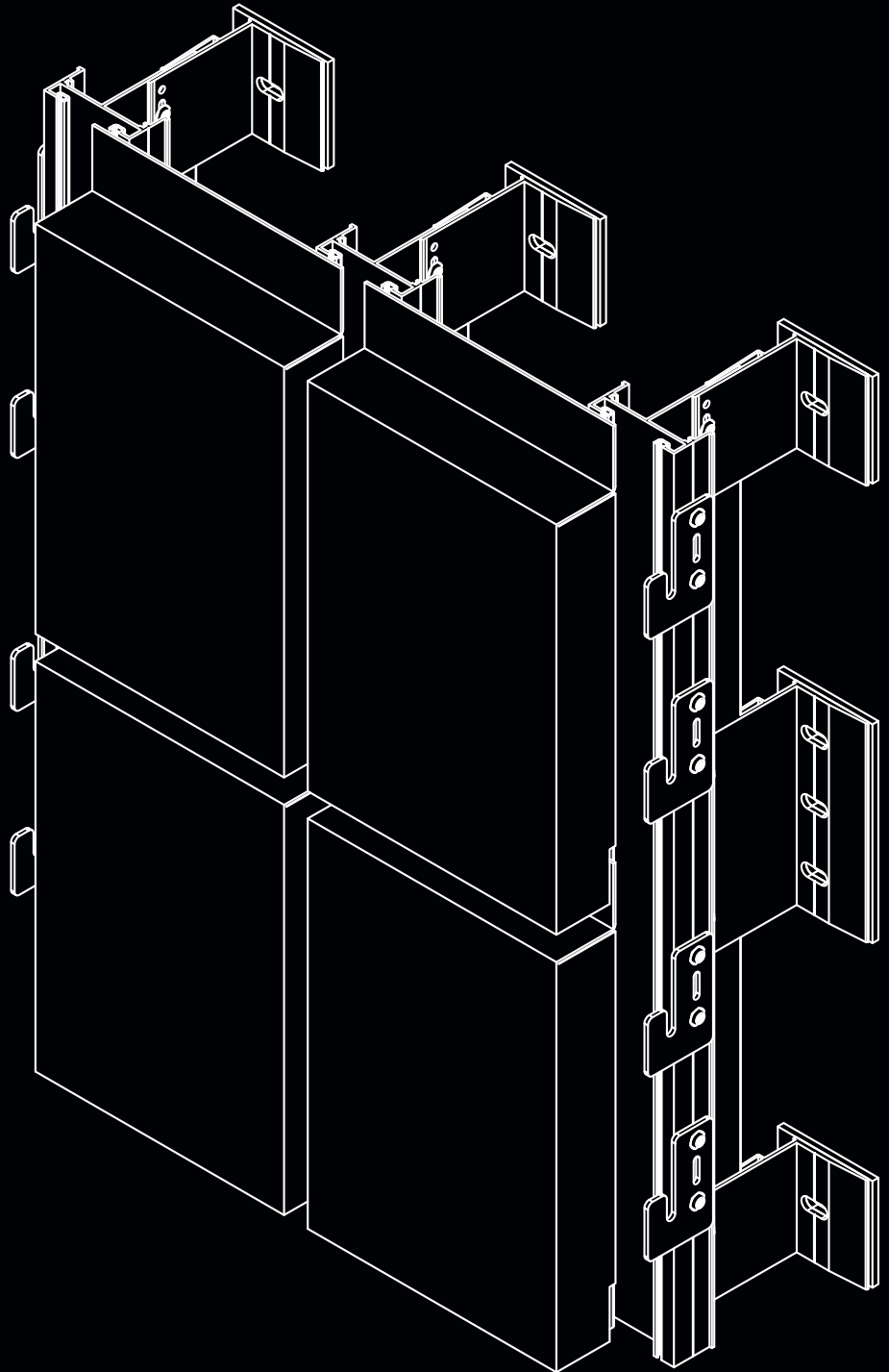




OPTIMA[®] FC S TECHNICAL INFORMATION

Flexible multi material secret
fix panel suite



Sole designers and manufacturers of the Optima[®] range of engineered rainscreen cladding systems



Sotech Optima FC

Flexible multi material secret fix panel suite

Optima FC has been developed as a carrier and panel system allowing for secret fixing of panels. Its versatility is such that a multitude of materials and thicknesses (from 0.7mm to 4mm) may be used on one universal carrier.

Regardless of material or thickness used, the superior design and manufacturing techniques employed maintain a cosmetically flat and uniform appearance.

This drained and ventilated system consists of a baffle-jointed series of panels that creates a weather shield in front of a primary structure.

The system has been independently tested and certified to meet CWCT rigorous specification for rainscreen cladding.

Optima FC is engineered to seamlessly integrate with all other building façade elements such as windows, doors and louvres.

Specialist Fabrications

A full range of ancillary products is available in matching or contrasting finishes engineered to the same high standards as the system. These range from bullnose units and flashings to insulated gutters and rainwater goods.

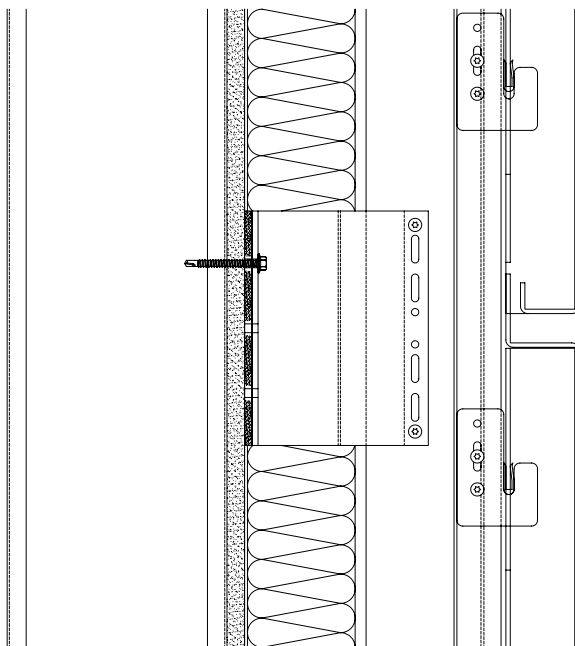
Optima products are manufactured in a state of the art facility designed for, and dedicated, to high quality rainscreen and architectural systems production. This facility is operated and staffed by skilled designers and engineers utilising a suite of 2D and 3D design packages, fully automatic punching machines, CNC routers, compensated pressbrakes, rollers and welding stations.

SYSTEM BENEFITS

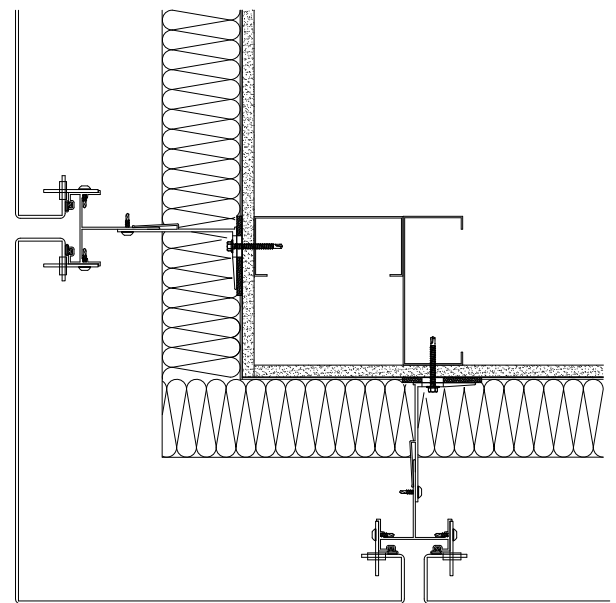
- A complete secretly fixed rainscreen System
- The system bracketry is designed to accommodate tolerances present in any backing wall for either new build or refurbishment projects
- Suitable for all wall constructions
- Standard panel lengths available up to 4.4m
- Low maintenance system with very long life
- Accurate installation is both simple and speedy
- Individual panels are easily demountable for element replacement or inspection purposes
- System is fully and beneficially recyclable
- A fully independently tested and accredited system to CWCT standards
- System does not support combustion and all components meet the requirements laid out in BS476, part 7, Class 0



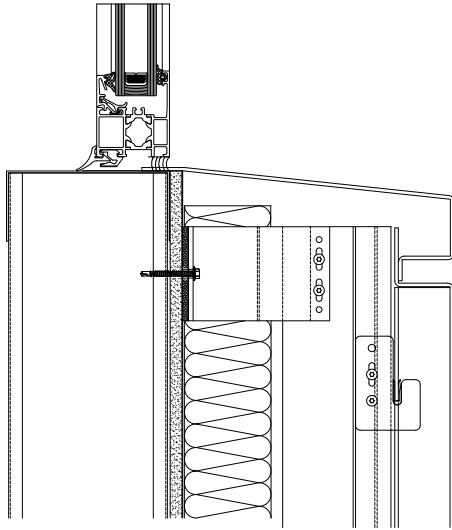
OPTIMA[®]
FC



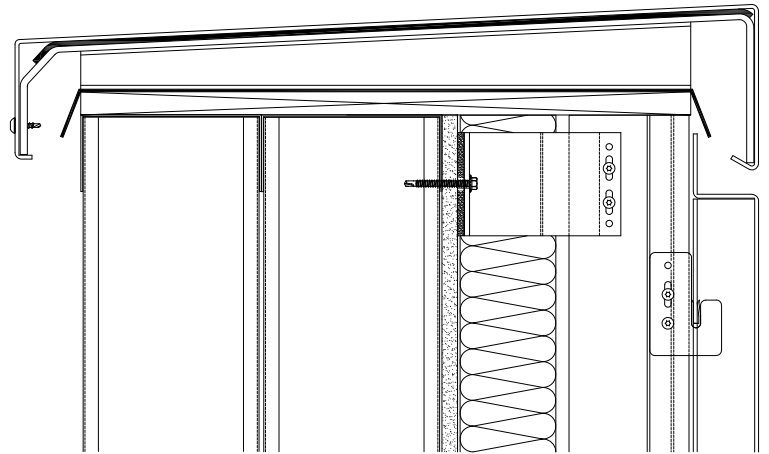
Horizontal Joint Detail



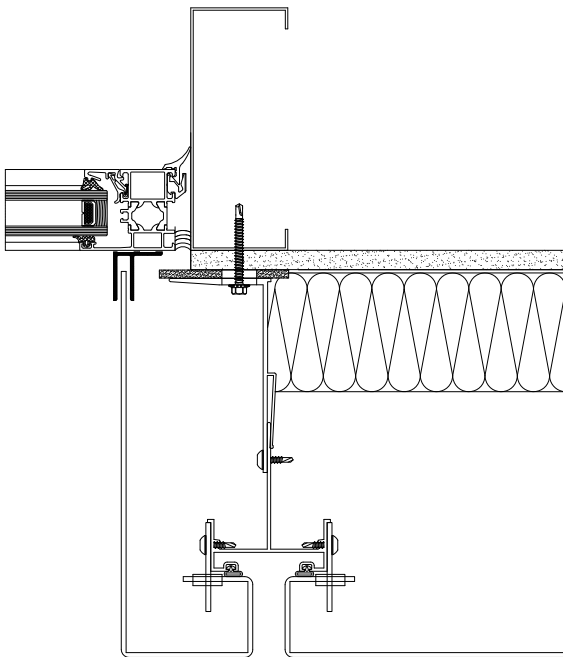
External Corner Detail



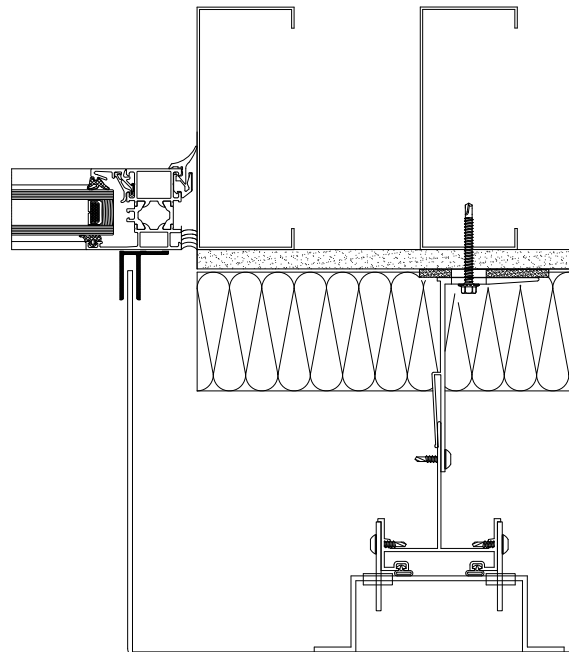
Window Sill Detail



Coping Detail



Jamb Detail



Extended Leg Detail

RAINSCREEN SYSTEM

- Optima FC secret fix panels
- Drained and back ventilated

RAINSCREEN PANEL

- Material - **Aluminium:**
Precoat (PVDF) including metallic, simulated zinc and copper finishes
Polyester powder coating (PPC)
Anodised in Natural, Bronze, Gold, Blue Grey and Black (with United Anodisers project lifetime guarantee)
ACM (Aluminium Composite Material)
- Material - **Steel:**
Stainless Steel (Natural, Polished, Textured or Patterned) Corten Steel
- Material - **Copper:**
Natural, Oxidised, Pre Patinated, Brass, Bronze and Gold
- Material - **Zinc:**
Pre weathered in all available finishes
- Thickness: Dependant on material
- Manufacture controlled by CNC controlled and ISO9001 quality assured processes.
- Joint type: Open
 - Joint width: 10mm-30mm
 - CAD, CAM, CNC processes throughout
 - ISO 9001 quality assured
 - CWCT tested and accredited system

SUPPORT SYSTEM

- 'Hands free' brackets
 - Cladding zone: 130mm - 320mm
 - Aluminium sub structure
 - Stainless steel fixings.

NBS H92

Full NBS specifications are available for all Sotech Optima systems however great benefit is derived from project specific guidance and it is recommended that our free technical advisory service is consulted. This will assist in true and timely value engineering and the reduction of disappointment or delays at tender stage.

DESIGN SUPPORT

In addition to the technical advisory service, utilised most often by architects and clients, full design support is available to the approved installer network.

SOTECH PHILOSOPHY

Superior design and manufacturing inspires confident specifications, realises creativity and delivers successful projects.

"Taking our environmental responsibilities seriously."

By embracing ISO 14001 (Environmental Management Standard) Sotech continues to invest in environmental improvements wherever possible including recyclable prime materials, energy efficiencies and packaging reductions.

The regeneration and development of Baltic Mill, a disused and listed 1930s flourmill into a world-class art gallery, is synonymous with Sotech's appreciation of environmental issues. It incorporates 5000m² of easily recycled but extremely durable Optima anodised aluminium rainscreen cladding.



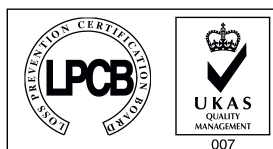
SOTECH
architectural façade systems

Sotech Limited
Unit 2
Whitehouse Business Park
Peterlee
County Durham
SR8 2RU

Tel: 0191 587 2287
Fax: 0191 518 0703
Email: mail@sotech-optima.co.uk
Web: www.sotech-optima.co.uk

nbsPlus

rainscreenworks



Assessed to ISO 9001:2000
Certificate number 770

CENTRE FOR
**WINDOW AND
CLADDING**
TECHNOLOGY

Sole designers and manufacturers of the Optima® range of engineered rainscreen cladding systems

CELEBRATING OVER
25 YEARS
EXCELLENCE IN INNOVATION